

## ELECTRIC PUMPS FOR OIL TRANSFER “VISCOMEC”

12V-24V DC electric pumps with gear rotor for the transfer of oils and lubricants with viscosity up to 600cSt (oil SAE 80W90).

They are suitable for applications where it is necessary to transfer oil from drums.

### Art. 091-5480-010

#### Electric pump for oils and lubricants transfer

12V 10l/min operating pressure 4-6 bar

Power cable 2 m length, with pincers and protection fuse

Self-priming rotary electric pump

Cast iron body

Sintered steel gears

By-pass valve

DC Engine

Motor protection rating IP55



### Art. 091-5482-010

#### Electric pump for oils and lubricants transfer

24V 10l/min operating pressure 4-6 bar

Power cable 2 m length, with pincers and protection fuse

Self-priming rotary electric pump

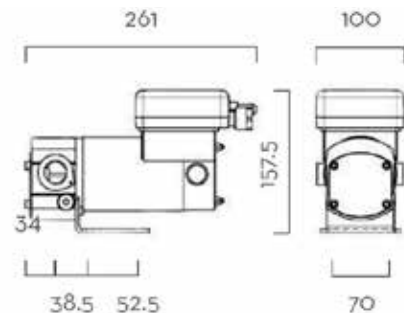
Cast iron body

Sintered steel gears

By-pass valve

DC Engine

Motor protection rating IP55



Volumetric electric pumps and 230V for oils and lubricants transfer, the suction filter is supplied.

### Art. 091-5500-030

#### Electric pump for oils and lubricants 230V-50Hz 30 l/min

Power cable 2 m length, Schuko plug

Self-priming rotary electric pump

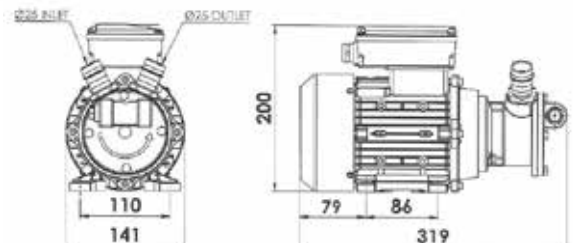
Cast iron body

By-pass valve

AC Engine

Stainless steel filter 100 micron

Motor protection rating IP55



Ref.	Flow rate	Voltage	Power	Electricity	Cable length	Inlet-outlet	RPM	Weight	Packaging
	l/min	AC V./Hz DC Volt	W	A	m	BSPG	min	kg	mm
<b>091-5480-010</b>	<b>10</b>	12	300	35	2	F 3/4" BSP	2900	4,90	345X175X255
<b>091-5482-010</b>	<b>10</b>	24	300	18	2	F 3/4" BSP	2900	4,90	345X175X255
<b>091-5500-030</b>	<b>30</b>	230/50	850	3	2	F 1" BSP	1800	10	390X190X250