



ELECTRIC PUMPS KIT FOR AdBlue® TRANSFER “Barrel Kit”



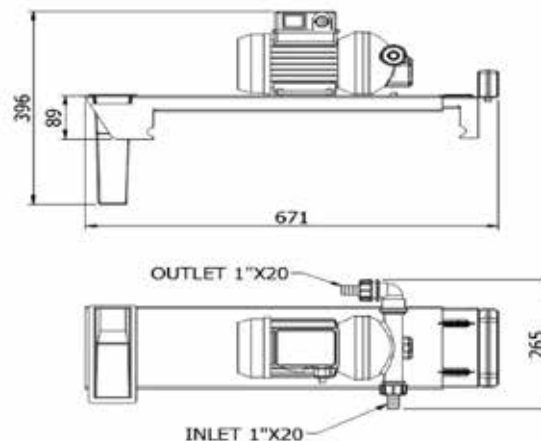
Ref.	Descrip.	Flow rate	Voltage	Power	Inlet-outlet	Conn. hose	Nozzle	Suction kit	Weight	Packaging
		l/min	AC V./Hz DC Volt	W	BSPG	Ø			kg	mm

097-5700-230	Barrel Kit	40	230/50	350	3/4"-3/4"	19X29	Man.AD90	YES	18,00	760X760X265
097-5701-230	Barrel Kit	40	230/50	350	3/4"-3/4"	19X29	Aut.AP80	YES	20,00	760X760X265

097-5700-115	Barrel Kit	40	115/60	350	3/4"-3/4"	19X29	Man.AD90	YES	18,00	760X760X265
097-5701-115	Barrel Kit	40	115/60	350	3/4"-3/4"	19X29	Aut.AP80	YES	20,00	760X760X265

097-5700-012	Barrel Kit	34	12	200	3/4"-3/4"	19X29	Man.AD90	YES	16,45	760X760X265
097-5701-012	Barrel Kit	34	12	200	3/4"-3/4"	19X29	Aut.AP80	YES	18,45	760X760X265

PUMP DUTY CYCLE min: S2 20



AdBlue® Kit suitable for filling vehicles from the barrels. Composed by:
stainless steel support bracket for barrels fixing, self-priming electric diaphragm pump, manual or automatic nozzle, delivery EPDM hose 6 m length, and suction connections.

“Barrel Kit” series composed by:



Art. 098-6500-230 Diaphragm electric pump for AdBlue® 230V 50 Hz 40 l/min cable 2 m length



Art. 098-6500-115 Diaphragm electric pump for AdBlue® 115V 60 Hz 40 l/min cable 2 m length



Art. 098-6500-012 Diaphragm electric pump for AdBlue® 12V 34 l/min cable 4 m length with pincers

Art. 099-6504-000 Suction kit AF2 56x4 1” BSP



Art. 909-0500-060 Antistatic hose EPDM 20 bar G 3/4” 6 m length (19x29)



Art. 911-0500-011 PVC spiral suction hose d.20x25 1,1 m length



Art. 099-5199-000 Manual plastic nozzle “AD90” Flow rate 90 l/min



Art. 099-5205-000 Automatic plastic nozzle with stainless steel end “AP80” 80 l/min



Art. 099-6506-000 Adaptor for barrel F 2” BSP - M 56x4