

# ELECTRIC PUMPS KIT FOR Adblue® TRANSFER “Barrel Kit”



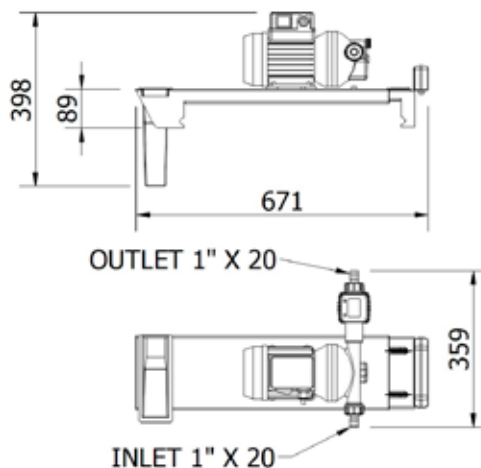
Ref.	Descrip.	Flow rate	Voltage	Power	Inlet-outlet	Conn. hose	Nozzle	Suction kit	Flow meter	Weight	Packaging
		l/min	AC V./Hz DC Volt	W	BSPG	Ø				kg	mm

<b>097-5710-230</b>	Barrel Kit	<b>40</b>	230/50	350	3/4"-3/4"	19X29	Man.AD90	YES	YES	18,30	760X760X265
<b>097-5711-230</b>	Barrel Kit	<b>40</b>	230/50	350	3/4"-3/4"	19X29	Aut.AP80	YES	YES	20,30	760X760X265

<b>097-5710-115</b>	Barrel Kit	<b>40</b>	115/60	350	3/4"-3/4"	19X29	Man.AD90	YES	YES	18,30	760X760X265
<b>097-5711-115</b>	Barrel Kit	<b>40</b>	115/60	350	3/4"-3/4"	19X29	Aut.AP80	YES	YES	20,30	760X760X265

<b>097-5710-012</b>	Barrel Kit	<b>34</b>	12	200	3/4"-3/4"	19X29	Man.AD90	YES	YES	16,75	760X760X265
<b>097-5711-012</b>	Barrel Kit	<b>34</b>	12	200	3/4"-3/4"	19X29	Aut.AP80	YES	YES	18,75	760X760X265

**PUMP DUTY CYCLE min: S2 20**



AdBlue® Kit suitable for filling vehicles from the barrels. Composed by:  
stainless steel support bracket for barrels fixing, self-priming electric diaphragm pump, manual or automatic nozzle, delivery EPDM hose 6 m length, and suction connections

### “Barrel Kit” series composed by:



**Art. 098-6500-230** Diaphragm electric pump for AdBlue® 230V 50 Hz 40 l/min  
cable 2 m length

**Art. 098-6500-115** Diaphragm electric pump for AdBlue® 115V 60 Hz 40 l/min  
cable 2 m length



**Art. 098-6500-012** Diaphragm electric pump for AdBlue® 12V 34 l/min  
cable 4 m length mtwith pincers



**Art. 099-5124-000** Digital flow meter MEC 24 min-max flow rate min-max 5-120 l/min.



**Art. 099-6504-000** Suction kit AF2 56x4 1” BSP



**Art. 909-0500-060** Antistatic hose EPDM 20 bar G 3/4” 6 m length (19x29)



**Art. 911-0500-011** PVC spiral suction hose d.20x25 1,1 m length



**Art. 099-5199-000** Manual plastic nozzle “AD90” Flow rate 90 l/min



**Art. 099-5205-000** Automatic plastic nozzle with stainless steel end “AP80” 80 l/min



**Art. 099-6506-000** Adaptor for barrel F 2” BSP - M 56x4