

AdBlue® TRANSFER SYSTEM FOR VEHICLES “Giuly-Blu”



Art. 097-5750-230
Art. 097-5750-012





Art. 097-5752-230
Art. 097-5752-012



Giuly-Blu IBC

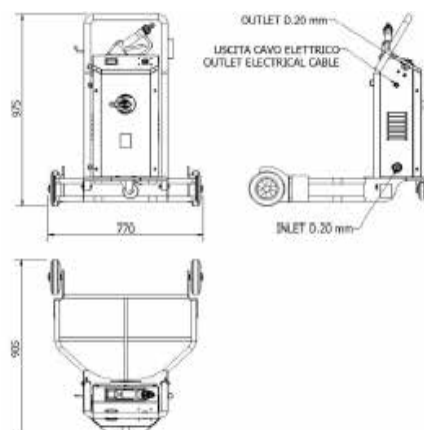
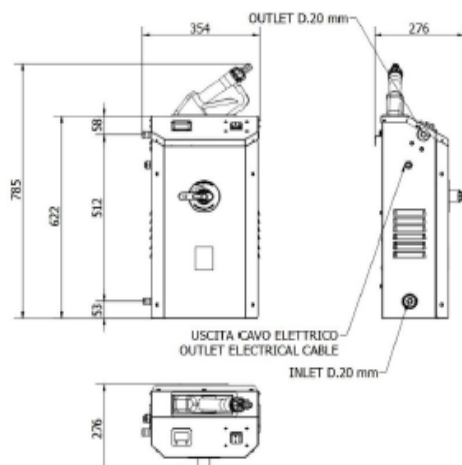
Drum and cistern not included

Ref.	Descrip.	Max. Nominal Flow Rate	Voltage	Power	Flow Rate	Delivery Hose	Suction Hose	Nozzle	Trolley	Weight
		LPM / GPM	AC V/Hz DC Volt	W	min	Ø / mm	Ø / mm			kg

097-5750-230	Giuly-Blu IBC	4 - 40 / 1 - 9	230 / 50	350	S2 30	20	20	AutAP80	NO	30,00
097-5750-012	Giuly-Blu IBC	4 - 34 / 1 - 9,2	12	200	S2 20	20	20	AutAP80	NO	30,00

097-5752-230	Giuly-Blu Trolley	4 - 40 / 1 - 9	230 / 50	350	S2 30	20	20	AutAP80	YES	52,40
097-5752-012	Giuly-Blu Trolley	4 - 34 / 1 - 9,2	12	200	S2 20	20	20	AutAP80	YES	52,40

Ref.	Packaging (mm)	Nr. Of boxes
097-5750-230	385X325X655	1
097-5750-012	385X325X655	1
097-5752-230	(385X325X655) + (920X790X250)	2
097-5752-012	(385X325X655) + (920X790X250)	2



Trolley for the transport of AdBlue® barrels, specifically designed for filling the vehicles tanks. It's equipped with self-priming electric double diaphragm pump, automatic nozzle, flow rate reducer, digital turbine flow meter, IBC adaptor and telescopic suction hose. The plastic barrel and the tanks are not included.

“Giuly-Blu” series composed by:



Art. 098-6500-230 Electric diaphragm pump for AdBlue® 230V 50 Hz 40 l/min cable 2 m length



Art. 098-6500-012 Electric diaphragm pump for AdBlue® 12V 34 l/min cable 4 m length



Art. 911-0500-015 PVC spiral suction hose ø 20x252 mm 1,5 m length



Art. 909-0500-040 Connection hose EPDM ø 20 mm M-M 4,0 m length



Art. 099-5205-000 Automatic plastic nozzle with stainless steel end AP80 80 l/min.



Art. 099-5124-000 Digital flow meter MEC 24 min-max flow rate 5-120 l/min.



Art. 099-6500-000 Suction hose 2” BSP SEC connection



Art. 099-6600-000 Adaptor for suction hose SEC connection



Art. 030-1398-000 Trolley 3 wheels with brake

AdBlue® TRANSFER SYSTEM FOR VEHICLES “Giuly-Blu” PROFESSIONAL



Art. 097-5760-230
Art. 097-5760-012





Art. 097-5762-230
Art. 097-5762-012



Giuly-Blu IBC

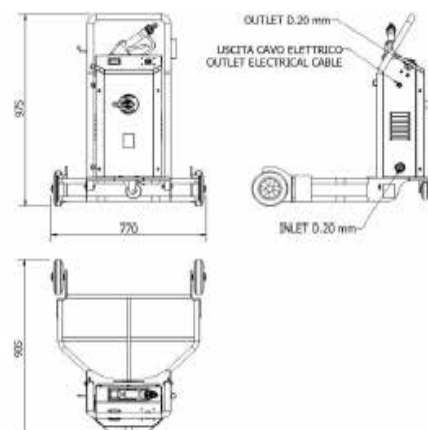
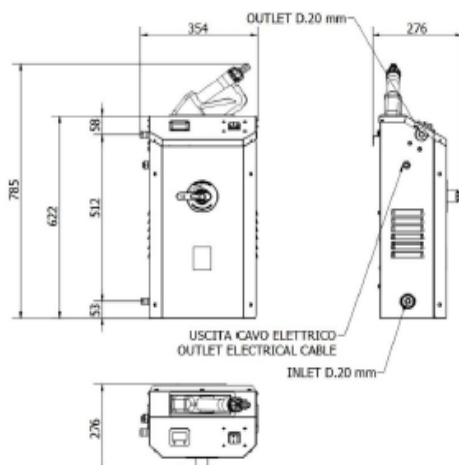
Drum and cistern not included

Ref.	Descrip.	Max. Nominal Flow Rate	Voltage	Power	Flow Rate	Delivery Hose	Suction Hose	Nozzle	Trolley	Weight
		l/min	AC V./Hz DC Volt	W	l/min	Ø / mm	Ø / mm			kg

097-5760-230	Giuly-Blu Prof	5 - 10	230 / 50	350	40	20	20	ZVA LV	NO	30,00
097-5760-012	Giuly-Blu Prof	5 - 10	12	200	34	20	20	ZVA LV	NO	30,00

097-5762-230	Giuly-Blu Prof Trolley	5 - 10	230 / 50	350	40	20	20	ZVA LV	YES	52,40
097-5762-012	Giuly-Blu Prof Trolley	5 - 10	12	200	34	20	20	ZVA LV	YES	52,40

Ref.	Packaging (mm)	Nr. Of boxes
097-5760-230	385X325X655	1
097-5760-012	385X325X655	1
097-5762-230	(385X325X655) + (920X790X250)	2
097-5762-012	(385X325X655) + (920X790X250)	2



Trolley for the transport of AdBlue® barrels, specifically designed for filling the vehicles tanks. It's equipped with self-priming electric double diaphragm pump, automatic nozzle, flow rate reducer, digital turbine flow meter, IBC adaptor and telescopic suction hose. The plastic barrel and the tanks are not included.

“Giuly-Blu” series composed by:



Art. 098-6500-230 Electric diaphragm pump for AdBlue® 230V 50 Hz 40 l/min cable 2 m length



Art. 098-6500-012 Electric diaphragm pump for AdBlue® 12V 34 l/min cable 4 m length



Art. 911-0500-015 PVC spiral suction hose ø 20x252 mm 1,5 m length



Art. 909-0500-040 Connection hose EPDM ø 20 mm M-M 4,0 m length



Art. 099-5220-000 ZVA Automatic nozzle for AdBlue® LV / Urea according to ISO 22241-1 (DEF/AUS/ARLA 32) for light vehicles < 3,5 t. With ATEX certificate (EX II 1G) Certificate Nr. SIRA 03ATEX9 487U Swivelling joint with integrated and certified flow regulator : TÜV - P-TÜ7-8113338228 ISO 22241 Complete with adaptor EW 22



Art. 099-5124-000 Digital flow meter MEC 24 min-max flow rate 5-120 l/min.



Art. 099-6500-000 Suction hose 2” BSP SEC connection



Art. 099-6600-000 Adaptor for suction hose SEC connection



Art. 030-1398-000 Trolley 3 wheels with brake