

# 33A.I

## Breather plug inner valve version made of stainless steel

**BODY MATERIAL** Stainless steel

**(1) PROTECTION CAP** Stainless steel

**(2) SPRING** Stainless steel

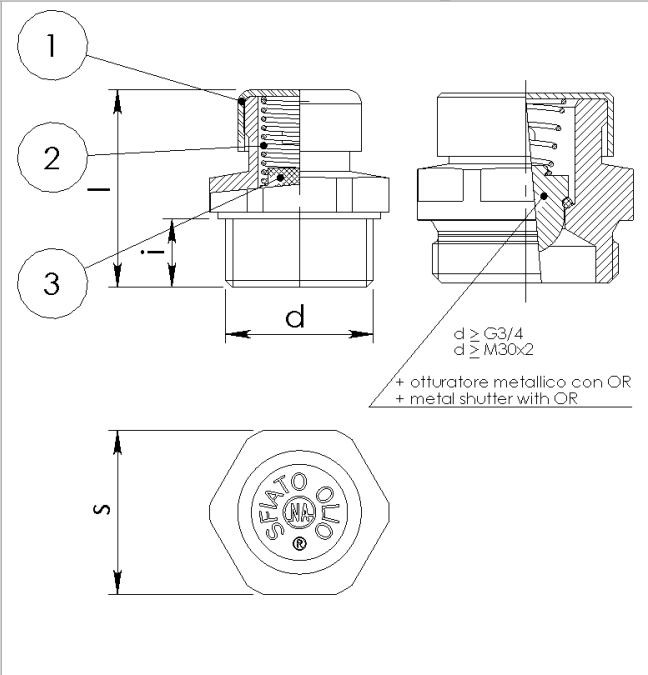
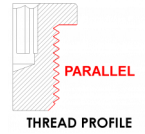
**(3) SEAL** NBR

**SET PRESSURE** ~ 0,25 bar

**RANGE TEMPERATURE** -10 +80 [°C]; +14 +194 [F]

### DESCRIPTION

The breather plug is designed to maintain safe, equalized pressure in a unit even when it is under sudden changes in ambient temperature. This model has a valve inside. This system allows the expulsion of the exceeding air in the reservoir, thus re-establishing the pressure setting of the breather. In off-road application it decreases the risk of oil leakage from the unit. The cap protects from foreign bodies which may enter into the mechanical equipment and may cause damages.



Article	d	i[mm]	s[mm]	l[mm]	weight[g]
130400440	G1/8	7	14	21,5	15
130400441	G1/4	9	17	29	29
130400442	G 3/8	9	20	28	40
130400443	G 1/2	10	24	29	63
130400389	G 3/4	16	29	39	111
130400390	G 1	16	36	42	255
130400393	G 2	20	60	60	935